

## CONVEYOR SYSTEMS

We manufacture designed corner tracks and profile rails for machine manufacturing, conveyor systems and bottling plants.

### MATERIAL: KOTERM PE1000

#### Properties:

- Excellent wear and abrasion resistance
- Very low coefficient of friction
- Self-lubrication
- No moisture absorption

Other suitable materials:

Regenerated KOTERM PE1000, KOTERM PE 500

#### Standard Colors:

natural, black and green



#### Additional offer:

aqua blue, green-yellow, and purple



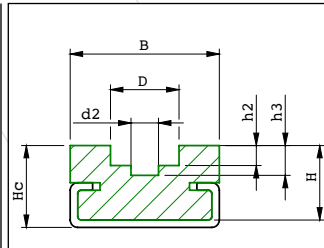
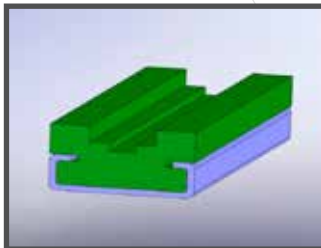
Other colours may be custom-ordered.

## CHAIN GUIDES

All guides can be made of the listed materials.

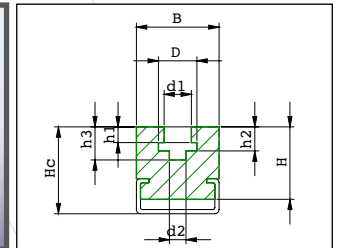
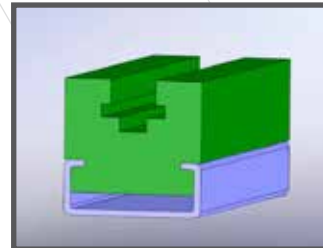
We offer special custom-made products.

Lengths: 2,000; 3,000 to 6,000 millimetres.



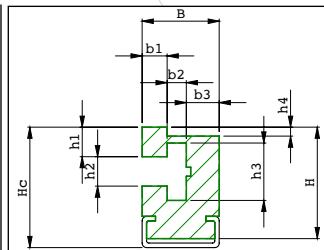
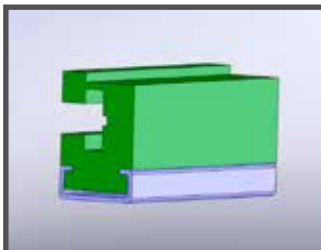
#### FOR CHAINS DIN 8187

B	Hc	H	h2	h3	d2	D
20 - 70	11 - 45	10 - 40	2,7 - 16,0	4,0 - 21,7	3,7 - 19,0	9,2 - 44,0



#### FOR CHAINS DIN 8187

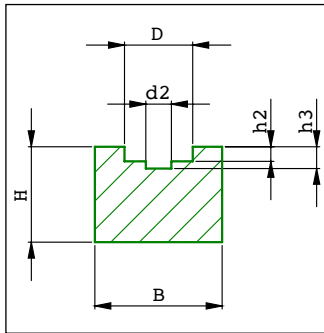
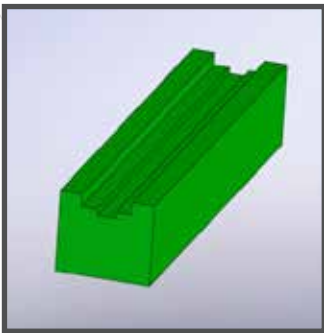
B	H	Hc	h1	h2	h3	d2	d1	D
20 - 70	17,5 - 70,0	21 - 80	3,8 - 30,8	5,8 - 47,3	8,0 - 53,0	4 - 19	6,6 - 29,6	9,3 - 44,5



#### FOR CHAINS DIN 8187

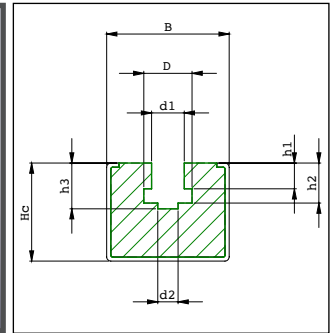
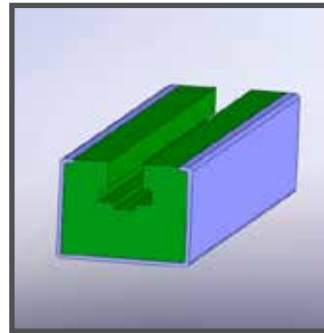
B	H	Hc	h1	h2	h3	h4	b1	b2	b3	Hm	hm	bm	kg/m ca.
17,3 - 33,5	25 - 50	27 - 54	6,6 - 11,9	9,3 - 24,4	6,6 - 16,1	1,5 - 4,3	5,6 - 16,9	4,3 - 10,0	7,4 - 6,6	30,2 - 62,0	17 - 34	14,5 - 25,0	0.900 - 3,100





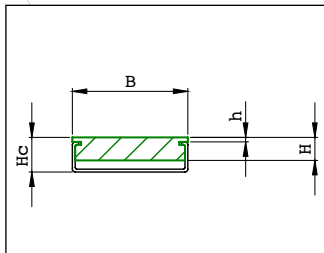
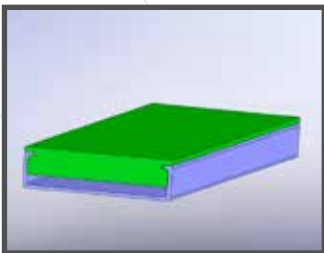
**FOR CHAINS DIN 8187**

B	H	h2	h3	d2	D	kg/m ca.
20 - 35	15 - 25	2,7 - 8,4	4,0 - 9,9	3,7 - 8,9	9,2 - 24,4	0,255 - 0,625



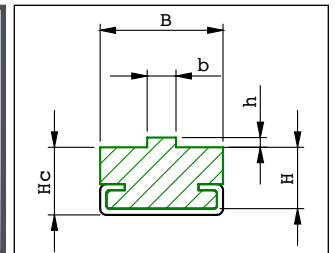
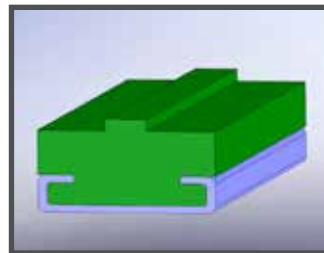
**FOR CHAINS DIN 8187**

B	Hc	h1	h2	h3	d2	d1	D	kg/m ca.
30 - 45	24 - 40	5,6 - 19,4	8,7 - 29,3	9,9 - 31,2	4 - 11	6,6 - 19,3	9,3 - 27,5	1,280 - 3,100



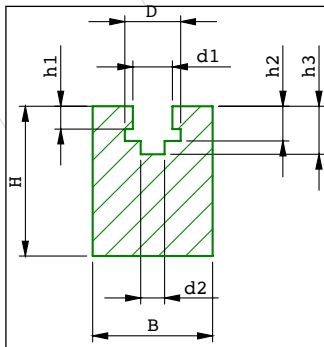
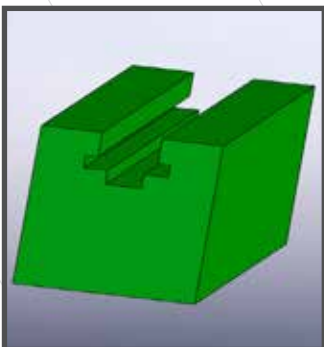
**FOR CHAINS DIN 8187**

B	Hc	H	h	kg/m ca.
20 - 60	6 - 30	4 - 20	0,8 - 10	0,350 - 2,650



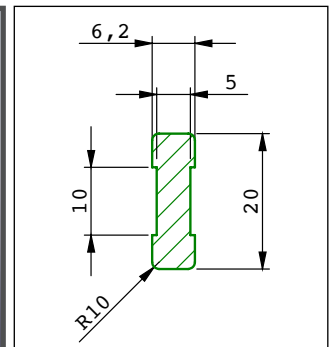
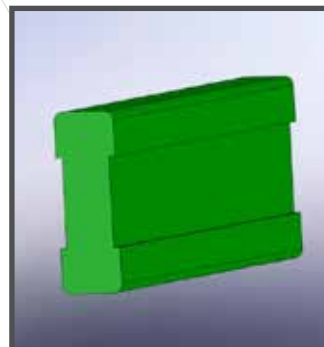
**FOR CHAINS DIN 8187**

B	Hc	H	b	h	kg/m ca.
20 - 60	11 - 35	10 - 25	4,7 - 30,1	1,6 - 7,7	0,405 - 3,400



**FOR CHAINS DIN 8187**

B	H	h1	h2	h3	d2	d1	D	kg/m ca.
20 - 70	25 - 75	3,8 - 30,8	5,8 - 47,3	8,0 - 53,0	4 - 18	6,6 - 29,6	9,3 - 44,5	0,440 - 3,260

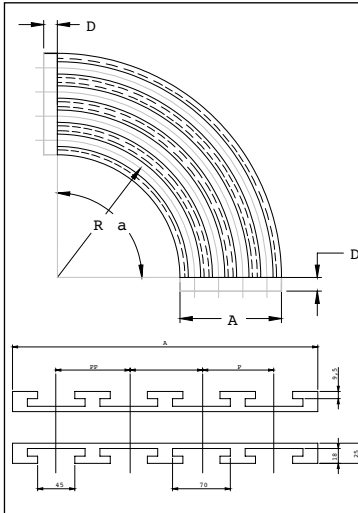
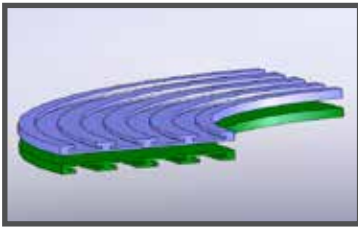


CODE	colour	Weight (kg/m)
25005B	Black	0.11
25005G	Green	0.11
25005AST	Antistatic Black	0.11

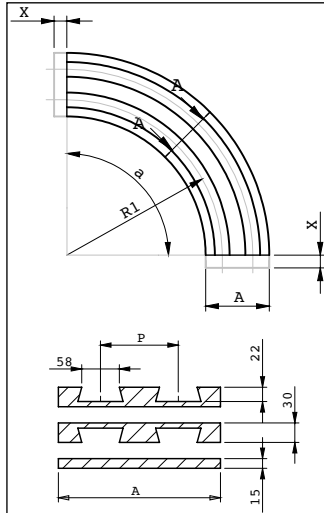
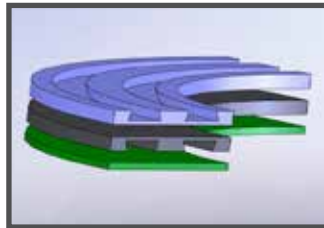
# CORNER TRACKS

## KT TAB

### Corner tracks



## KB Bevel tracks



### K325 - L82,5 mm

P= 85(88,90) mm

R	T	A
500	1...6	100...550
610	1...6	100...550
650	1...6	100...550
800	1...6	100...550
1000	1...6	100...550

### K450 - L114,3 mm

P= 120 mm

R	T	A
610	1...6	130...730
650	1...6	130...730
800	1...6	130...730
1000	1...6	130...730

### K750 - L190,5 mm

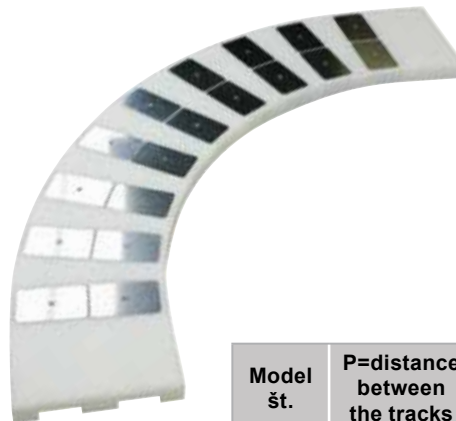
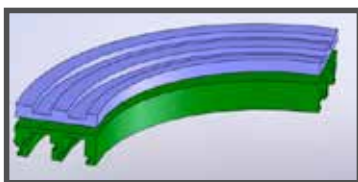
P= 195 mm

R	T	A
610	1...4	200...785
650	1...4	200...785
800	1...4	200...785
1000	1...4	200...785

# MAGNETIC CORNER TRACKS

## Materials:

KOTERM 1000, KOTERM 9000,  
KOTERM 1000 R, KOTERM HS,  
KOTERM PE 9000 NLS



## Standard colors:

natural, black, and green

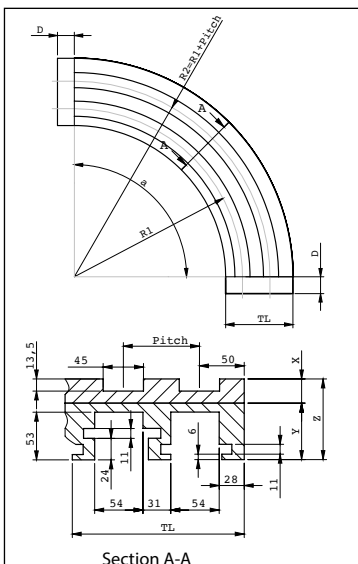


## Additional offer:

aqua blue, green-yellow, and purple



Other colours may be custom-ordered.



## Properties:

- Excellent wear and abrasion resistance
- Very low coefficient of friction
- Self-lubrication
- No moisture absorption

Model St.	P=distance between the tracks	T=number of tracks	TL1	R1	D (extension)	Angle (a)
iK-B7	85	1...8	100	500	/	15°
iK-B6	85	1...8	100	500	100	30°
iK-B4	85	1...8	111	500	100	45°
iK-B8	85	1...8	100	750	100	60°
iK-B42	85	1...8	111	750	100	75°
iK-B43	85	1...8	111	1000	100	90°
iK-B5D	85	1...8	100	1000	/	
iK-C7	85	1...8	100	500	/	
iK-C6	85	1...8	100	500	100	
iK-C4	85	1...8	111	500	100	
iK-C8	85	1...8	100	750	100	
iK-C42	85	1...8	111	750	100	
iK-C43	85	1...8	111	1000	100	
iK-C5D	85	1...8	100	1000	/	
iK-P68C	85	1...8	100	500	/	

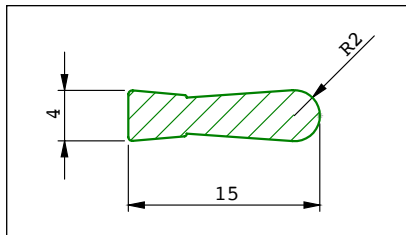
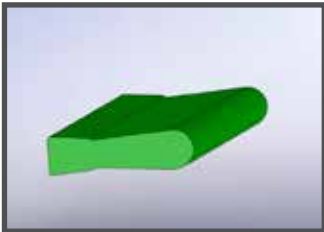
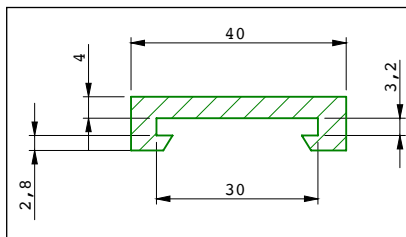
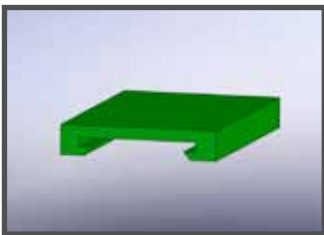
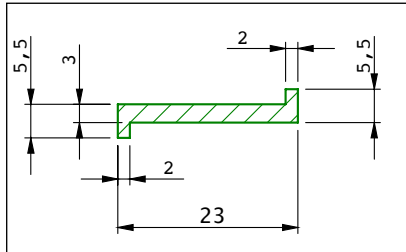
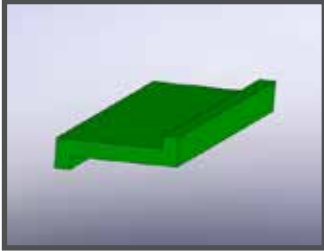
# GUIDE RAILS

We manufacture designed corner tracks and profile rails for machine manufacturing, conveyor systems and bottling plants.

## Properties:

- Excellent wear and abrasion resistance
- Very low coefficient of friction
- Self-lubrication
- No moisture absorption

## Material: KOTERM PE1000



## Standard Colors:

natural, black, and green



Other Colours may be custom-ordered.

CODE	Colour	Weight (kg/m)
25001B	Black	0.07
25001G	Green	0.07
25001AST	Antistatic Black	0.07

CODE	Colour	Weight (kg/m)
25003B	Black	0.22
25003G	Green	0.22
25003AST	Antistatic Black	0.22

CODE	Colour	Weight (kg/m)
25004B	Black	0.05
25004G	Green	0.05
25004AST	Antistatic Black	0.05

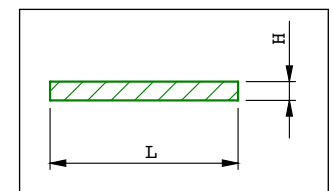
# FLAT PROFILES

## Material: KOTERM PE1000

CODE	LxH
26001B or G	20x2
26002B or G	25x2
26003B or G	30x2
26004B or G	40x2
26005B or G	50x2
26006B or G	20x3
26007B or G	25x3
26008B or G	30x3
26009B or G	40x3
26010B or G	50x3
26011B or G	20x4
26012B or G	25x4
26013B or G	30x4
26014B or G	20x5
26015B or G	25x5
26016B or G	30x5

## Standard Colors:

natural, black, and green



We are also able to supply products with a width of 320mm.



## Isokon d.o.o.

Industrijska cesta 16  
3210 SLOVENSKE KONJICE  
SLOVENIJA

T: +386 (0)3 757 11 00  
F: +386 (0)3 757 10 63  
e-mail: sales@isokon.si

www.isokon.si  
www.funice.si  
www.isotrack.eu  
www.isotrack.in  
www.isokon-russia.ru

\* No reproduction of product photographs, drawings or images is permitted without the prior written approval of Isokon.

\* The information contained herein is based on current knowledge and does not guarantee properties or performance of the product under all conditions. Refer to Isokon Standard Terms and Conditions.